



316 Stainless Steel Bow Anchor Roller With Metal Roller

You are welcomed to come to our factory to buy the latest selling, low price, and high-quality 316 Stainless Steel Bow Anchor Roller With Metal Roller, Power Marine looks forward to cooperating with you.

316 Stainless Steel Bow Anchor Roller With Metal Roller

Product Introduction

As the professional manufacturer, Power Marine would like to provide you 316 Stainless Steel Bow Anchor Roller With Metal Roller. And we will offer you the best after-sale service and timely delivery. Fits many styles of anchors including Fortress Anchors , Fluke/Danforth Anchors, Wing/Delta Anchors, and CQR/Plow Anchors. Solid stainless steel body with Metal wheel Makes recovering your anchor easier Great for stowing your anchor.

Product Parameter (Specification)

Product name	316 Stainless Steel Bow Anchor Roller With Metal Roller
Specification available	Multiple sizes
Standards that follow to	ISO 9001, CE, TUV, CSS, SGS.
Samples available	Yes.
Packing method	Bubble bag+Wooden carton
Production lead time	10-15 days for a 20ft container, 20-25 days for a 40ft container.
Warranty time	Support returns and exchanges
Payment term	T/T
FOB loading port	Qingdao China

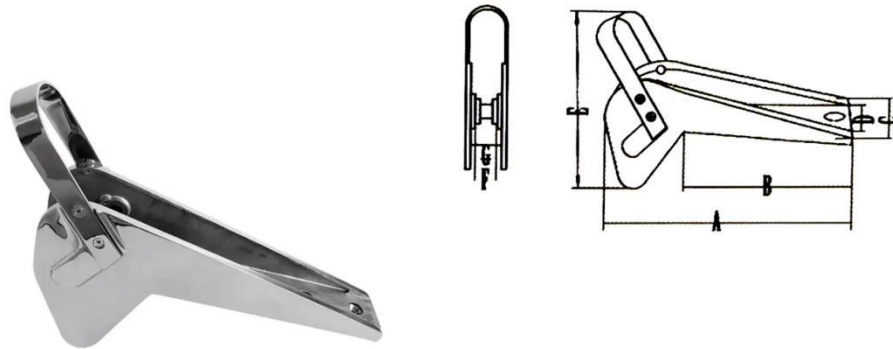
Shandong Power Industry and Trade Co., Ltd.

Address: Chengyang District, Qingdao, Shandong Province, China

Tel: [+86-15865772126](tel:+86-15865772126)

[+86-0532-83875707](tel:+86-0532-83875707)

E-mail: andy@hardwaremarine.com



Code	A	B	C	D	E	F	G	Chain (mm)	Anchor Size(kg)
PW901A	380	260	65	46	295	28	8.6	6-8	5-10
PW901B	480	310	77	60	300	36	15	8-10	10-20
PW901C	540	330	72	68	355	45	16	10-12	20-30

Product Feature And Application

The history of 316 Stainless Steel Bow Anchor Roller With Metal Roller versus metal rollers can be traced back to the development of marine anchor systems. In the early days, anchor rollers were often made of materials such as wood or cast iron, which are prone to rust and corrosion in marine environments. As materials technology advances, stainless steel has become a popular choice for anchor roller due to its excellent corrosion resistance and durability.

Stainless steel is highly resistant to corrosion from salt water and other marine elements, making it ideal for marine applications. The addition of metal rollers to the anchored roller design further enhances its functionality. Metal rollers allow smooth, frictionless movement of the anchor chain or rope, making it easier to deploy and retrieve the anchor. It also helps reduce wear on the anchor cable, ensuring a longer service life. The design and construction of 316 Stainless Steel Bow Anchor Roller With Metal Roller with metal rollers has undergone refinement and improvement over the years.

Shandong Power Industry and Trade Co., Ltd.

Address: Chengyang District, Qingdao, Shandong Province, China

Tel: [+86-15865772126](tel:+86-15865772126)

[+86-0532-83875707](tel:+86-0532-83875707)

E-mail: andy@hardwaremarine.com

Today, stainless steel bow anchor rollers with metal rollers are widely used on recreational boats, yachts and commercial vessels. They are considered important equipment for anchoring and mooring, providing necessary support and guidance for the anchor line. As boating and sailing technology continues to evolve, we can expect further advancements in anchor roller design to enhance functionality, ease of use, and durability. The use of materials such as stainless steel will continue to gain popularity due to its superior performance in marine environments.

Product Details

some common characteristics of 316 Stainless Steel Bow Anchor Roller With Metal Roller:

Material: The anchor wheel is made of high-quality stainless steel, providing excellent corrosion resistance and durability in marine environments.

Metal Rollers: Anchor rollers have metal rollers, usually made of stainless steel or other durable metal. Rollers allow smooth, frictionless movement of the anchor chain or rope, making it easier to deploy and retrieve the anchor.

Self-activating mechanism: Some anchor rollers have a self-activating mechanism that aids in anchor deployment. This mechanism allows the anchor to slide smoothly out of the rollers and into the water, making the anchoring process more efficient.

Adjustable Design: 316 Stainless Steel Bow Anchor Roller With Metal Roller feature an adjustable design, allowing them to accommodate different anchor types, sizes, and shapes. This feature provides versatility and ensures a secure fit for a variety of anchoring setups.

Mounting Options: The 316 Stainless Steel Bow Anchor Roller With Metal Roller can be mounted to the bow of your boat using bolts, screws, or other secure fastening methods. The mounting system is designed to provide stability and withstand the forces generated during anchoring.

Surface Finish: Anchor rollers are available with a polished or brushed finish to enhance their appearance and prevent surface damage.

Shandong Power Industry and Trade Co., Ltd.

Address: Chengyang District, Qingdao, Shandong Province, China

Tel: [+86-15865772126](tel:+86-15865772126)

[+86-0532-83875707](tel:+86-0532-83875707)

E-mail: andy@hardwaremarine.com

These features increase the functionality and reliability of the 316 Stainless Steel Bow Anchor Roller With Metal Roller with metal roller, making it an important part of the ship's anchoring system.

Loading & Shipment

Thanks to superior quality, we have been establishing a close & long business partner relationship with the customers from more than 30 countries, and we've gotten so many positive feedback regarding the quality.



Contact us

Contact us freely for any inquiries on our products by following:

Shandong Power Industry and Trade Co., Ltd.

Address: Chengyang District, Qingdao, Shandong Province, China

Tel: [+86-15865772126](tel:+86-15865772126)

[+86-0532-83875707](tel:+86-0532-83875707)

E-mail: andy@hardwaremarine.com

Email: andy@hardwaremarine.com

Mob: +86-15865772126

24 hours on line contact:

WhatsApp / wechat: +86-15865772126

If you have any questions can contact us

Shandong Power Industry and Trade Co., Ltd.

Address: Chengyang District, Qingdao, Shandong Province, China

Tel: [+86-15865772126](tel:+86-15865772126)

[+86-0532-83875707](tel:+86-0532-83875707)

E-mail: andy@hardwaremarine.com